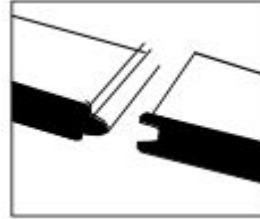


## Bamboo Co Eco-Shield Decking

Bamboo Co Eco-Shield decking is a high density, anti-corrosive bamboo decking board made from compressed bamboo fibres. This unique patented technology provides our decking with the highest durability class that complies with EU Safety Standards. The density of the boards makes it one of the strongest, most durable and sustainable products on the market. Another special feature of Bamboo Co Eco-Shield Decking is the end-matched system (only possible with extremely stable materials) which enables the connection of unlimited boards (lengthways). Our boards are processed with symmetrical sides to enable the use of both surfaces (smooth or small groove) depending on the customers preference and allows for ease of installation with the help of our specially designed fasteners.



Product Code	Color / Finish	Surface	Edge Groove	End-Matched	Dimensions
DECK-NAT-25	Natural / Woca Oil (transparent)	Reversible (Smooth / Small Groove)	Yes	Yes	1860*139*20mm

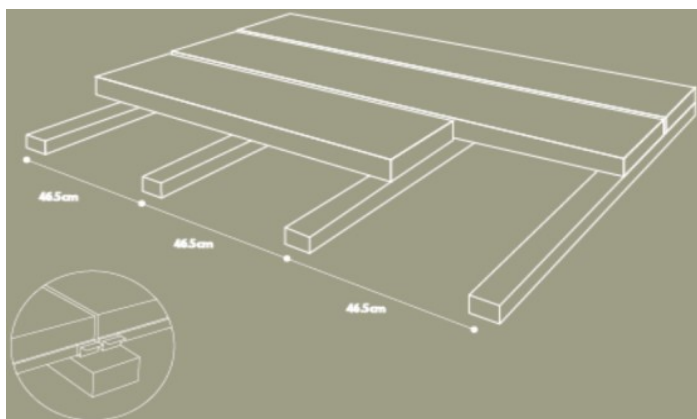
Technical Characteristics and Certifications		
Test item	Result	Standard
Fire Resistance Class	Bfl-s1	EN 13501-1:2018
UV Exposure	grade 4	ISO 4892-3:2016
Hardness	8.61N/mm <sup>2</sup>	EN 1534-2010
Density	1.15-1.18g/cm <sup>3</sup>	GB/T 30364-2013
Moisture Rate	6-15%	GB/T 30364-2013
Thickness of Swelling Rate	≤2%	GB/T 30364-2013
Width of Swelling Rate	≤0.2%	GB/T 30364-2013
Expansion Rate After 1 Hour In Boiling Water	≤5%	N/a
Expansion Rate of 24 Hours Soaking Water	≤2%	N/a
Determination of Resistance	8.61N/mm <sup>2</sup>	EN1534-2010
Light Ageing Test-UV Exposure	grey scale 3-4	ISO 4892-3:2016 Cycle 1&ISO 105-A02:1993/Cor.2 :2005
Slip Resistance	R10	CEN/TS16165AnnexB-DIN51130
Durability Test	class 1 (very durable)	EN 350:2016
Formaldehyde Release	0.001mg/m <sup>3</sup>	EN717-1:2004
Resistance to Indentation	9.5kg/mm <sup>2</sup>	EN1534
Modulus of Elasticity	14060N/mm <sup>2</sup>	(EN ISO 178-2019)
Bending Strength	148.7Mpa	(EN ISO 178-2019)
Warranty	25 Years	N/a



## Storage Summary

Bamboo Co Eco-Shield Decking should be stored inside, raised above the ground (on a level pallet), horizontally, in a dry, clean, pest free location.

*(Defects caused by improper storage, will not be covered by the warranty)*



## Installation Summary

Decking with symmetrical grooves along both sides are fixed with clips and screws. Distance between the decking is approx 2-3mm after installation.

- 1 Before installation, clean the worksite, make sure the sub-structure is flat and stable, the drainage is sufficient and conforms with the requirement of the construction design.
- 2 The joists should be securely fixed and the dimensions calculated by a professional. Ensure the decking slope to be 1-2 degrees from level, in order to shed water.
- 3 The distance between the joists must be between 450-500mm (1 x deck board measuring 1860mm in length requires 5 joists) Optimal spacing between joists is 465mm (centre of joist to centre of joist) to reduce waste.
- 4 Distance from floor to the bottom of the decking should be 80-150mm for maximum ventilation.
- 5 All cut ends to be treated with Woca oil for added protection.

## Maintenance Summary

*Bamboo Co Eco-Shield decking is a natural product, therefore the appearance (color and grain) can vary. The boards texture and color will change over time, depending on the climate and customers chosen maintenance schedule.*

Cleaning your Eco-Shield decking regularly will maintain its appearance and longevity. (Do not use a pressure washer)

- 1 **Sweep Regularly:** Use a soft bristle brush or a leaf blower to remove dust, dirt and debris from the surface. This will prevent build-up which otherwise could result in either scratching the surface or becoming slippery.
- 2 **Wash with mild soapy water:** Mix a small amount of mild soap or wood cleaner with warm water (avoid harsh chemicals or cleaners with bleach as they can damage the surface of the bamboo.) Use a soft cloth or mop to apply the soapy solution. Clean in the direction of the bamboo grain.
- 3 **Scrub stubborn dirt:** For more stubborn stains or dirt, use a soft bristle brush or sponge. Gently scrub the area without using excessive force. For mould or mildew use a solution 1 part vinegar, 3 parts water or a mild wood-safe cleaner designed for outdoor use.
- 4 **Rinse with clean water:** After scrubbing, rinse the deck thoroughly with clean water to remove any soap residue.
- 5 **Dry properly:** Allow the bamboo decking to air dry completely before walking on it. Avoid using pressure washers as they can damage the surface.
- 6 **Apply Woca Oil:** To further protect the bamboo from moisture and UV damage, you can apply an external bamboo decking oil (we recommend Woca Oil, please refer to our Woca Oil Guide)



Note: Care has been taken to ensure the accuracy of this information. The information is subject to change. Please refer to our website for the most upto date version.

