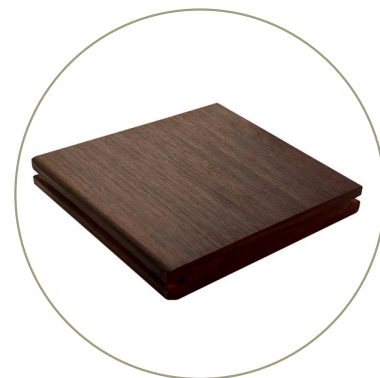


INSTALLATION & CARE GUIDE



STORAGE:

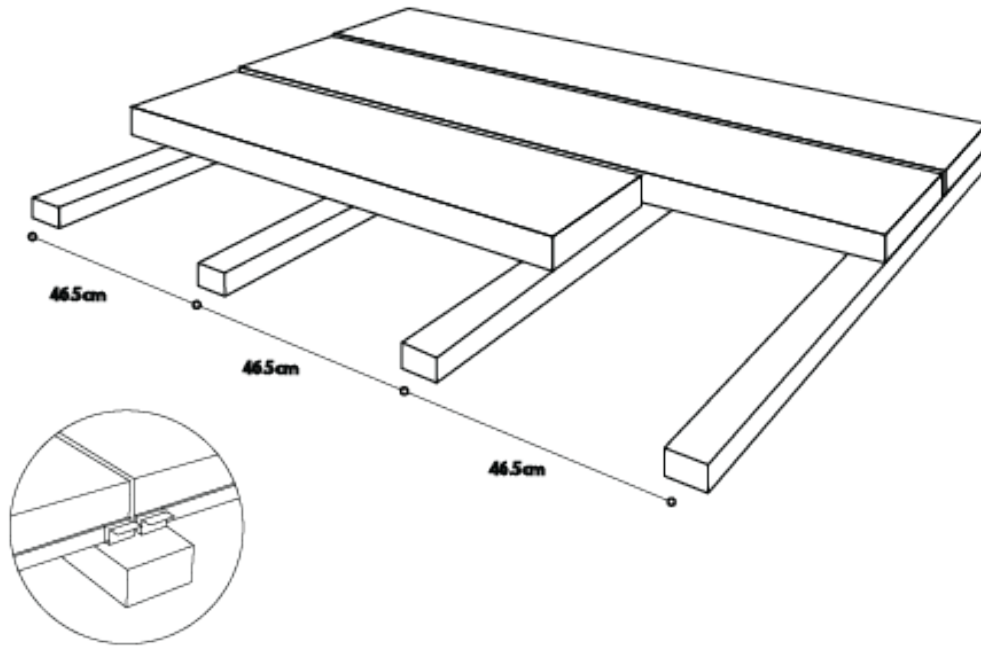
Bamboo Co Eco-Shield Decking should be stored inside, raised above the ground (on a level pallet), horizontally, in a dry, clean, pest free location. (Defects caused by improper storage, will not be covered by the warranty)

BEFORE INSTALLATION:

- To avoid water build-up beneath the decking, prepare a water-permeable base using sand and gravel layers.
- Lay a terram root barrier under the subframe to prevent weed growth beneath the decking.
- Joists should be securely fixed and the dimensions calculated by a professional.
- It is recommended to install the decking boards with a 1-2% slope to encourage water run off. Installing without a slope may result in water pooling on the surface, potentially leading to superficial cracks and requiring more frequent cleaning.
- The distance between the joists must be between 450-500mm (1 x deck board measuring 1860mm in length requires 5 joists).
- Optimal spacing between joists is 465mm (centre of joist to centre of joist) to reduce waste.
- Maintain a minimum gap of 20 mm from walls and surrounding objects to allow for adequate airflow.
- Distance between the ground and the underside of the decking should be 80-150mm for maximum ventilation.

INSTALLATION NOTES:

- Decking boards are fixed with with clips and screws, inserted into the symmetrical grooves along the board edges. (Bamboo Co Eco-Shield Deck Clips ensure a consistent gap of 2-3mm between boards)
- Bamboo Eco-Shield Decking is a natural material, so variations in color between batches are expected. We recommend mixing components from different boxes before installation.
- Apply Woca Oil to all cut ends to prevent water penetration.
- Eco-Shield Bamboo Deck boards come with a Woca Oil factory finish, we recommend oiling the boards after installation for maximum protection.



INSTALLATION:

(SAFETY NOTE: Drilling, sawing, sanding, and machining Bamboo Co Eco-Shield Decking generates dust. To avoid inhaling dust, always wear a dust mask)

Tool List

- Tape Measure
 - Rubber Mallet
 - Drill and drill bits
 - A four-foot and eight-foot level
 - Safety glasses & Mask
 - Impact Driver
 - Chop saw
 - Woca Oil
 - Oil applicator , brush or paint roller
- Clean the worksite, make sure the sub-structure is flat and stable, the drainage is sufficient and conforms with the requirement of the construction design.
 - From your starting point install your first row of boards using Eco-Shield Starter Clips and screw.
 - Insert the fastener into the symmetrical grooves along the side of the board.
 - Pre-drill screw holes in the joists.
 - Tighten the screws, (vertically and with low torque)
 - Continue with the installation by sliding subsequent boards under the fasteners and securing them with screws.

CLEANING, CARE AND MAINTENANCE

Bamboo Co Eco-Shield Decking is a natural product, therefore the appearance (color and grain) can vary. The boards texture and color will change over time, depending on the climate and customers chosen maintenance schedule.

To maintain the appearance it is recommended to follow a regular maintenance schedule.

(Note : If the decking is installed in a partially enclosed space, such as under a canopy with limited ventilation, superficial fungi may appear on the surface. This is a natural occurrence and can be easily removed with a damp cloth. Adequate ventilation will help prevent this issue.)

- Cleaning your Eco-Shield decking regularly will maintain its appearance and longevity. (Do not use a pressure washer)
- Sweep Regularly: Use a soft bristle brush or a leaf blower to remove dust, dirt and debris from the surface. This will prevent build-up which otherwise could result in either scratching the surface or becoming slippery.
- Wash with mild soapy water: Mix a small amount of mild soap or wood cleaner with warm water (avoid harsh chemicals or cleaners with bleach as they can damage the surface of the bamboo.) Use a soft cloth or mop to apply the soapy solution. Clean in the direction of the bamboo grain.
- Scrub stubborn dirt: For more stubborn stains or dirt, use a soft bristle brush or sponge. Gently scrub the area without using excessive force. For mould or mildew use a solution 1 part vinegar, 3 parts water or a mild wood-safe cleaner designed for outdoor use.
- Rinse with clean water: After scrubbing, rinse the deck thoroughly with clean water to remove any soap residue.
- Dry properly: Allow the bamboo decking to air dry completely before walking on it.
- Apply External Oil: To further protect the bamboo from moisture and UV damage, you can apply an external bamboo decking oil (we recommend Woca Oil)

(Pools: Pool water, which can contain chlorine and/or salt, can accelerate the boards weathering. It is therefore important to keep to a regular maintenance schedule to reduce wear and discoloration. While Bamboo Co Eco-Shield Decking is less prone to splinters than tropical hardwoods. Regular oiling and cleaning will help prevent this.)



OIL APPLICATION

- Clean the wood surface before applying the oil. Woca Exterior Wood Cleaner ensures best results by opening the wood pores for deeper oil absorption to strengthen and harden the wood which equals better durability and lifespan of the surface before a maintenance coat of oil is needed.

- Leave the wood to dry for at least 24 hours. The moisture content of the wood should not be above 17%.
- Check the surface one last time for any debris before moving onto the next step.
- Apply WOCA Exterior Oil in dry weather only. Avoid direct sunlight and high temperatures.
- Stir the oil thoroughly before use.
- Woca Oil has a no-streak formula, allowing you to paint/roll on, soak in, then wipe away excess.
- Apply an even and thin coat of oil using an oil applicator, brush or paint roller. Treat the end grain wood first. The wet oil may have a white shade. After a few minutes, the wood will appear oiled.
- Wipe off any excess oil with clean cotton cloths after no more than 5 minutes. Take particular care of removing excess oil from joints and grooves.
- If the surface does not appear saturated with oil, repeat steps 6 and 7.
- When the wood is dry, it may be polished with a polishing pad.
- It takes 48 hours for the oil to harden thoroughly, depending on weather conditions and outdoor temperature. Do not expose wood to water during this period.
- Please follow manufacturers cloth disposal instructions.

While every effort has been made to ensure the accuracy of this guide, individual circumstances, such as location, subfloor conditions, and specific installation methods, may vary. If in doubt, please get in touch.

For the most current version of these instructions, visit:
www.bamboo-co.com.